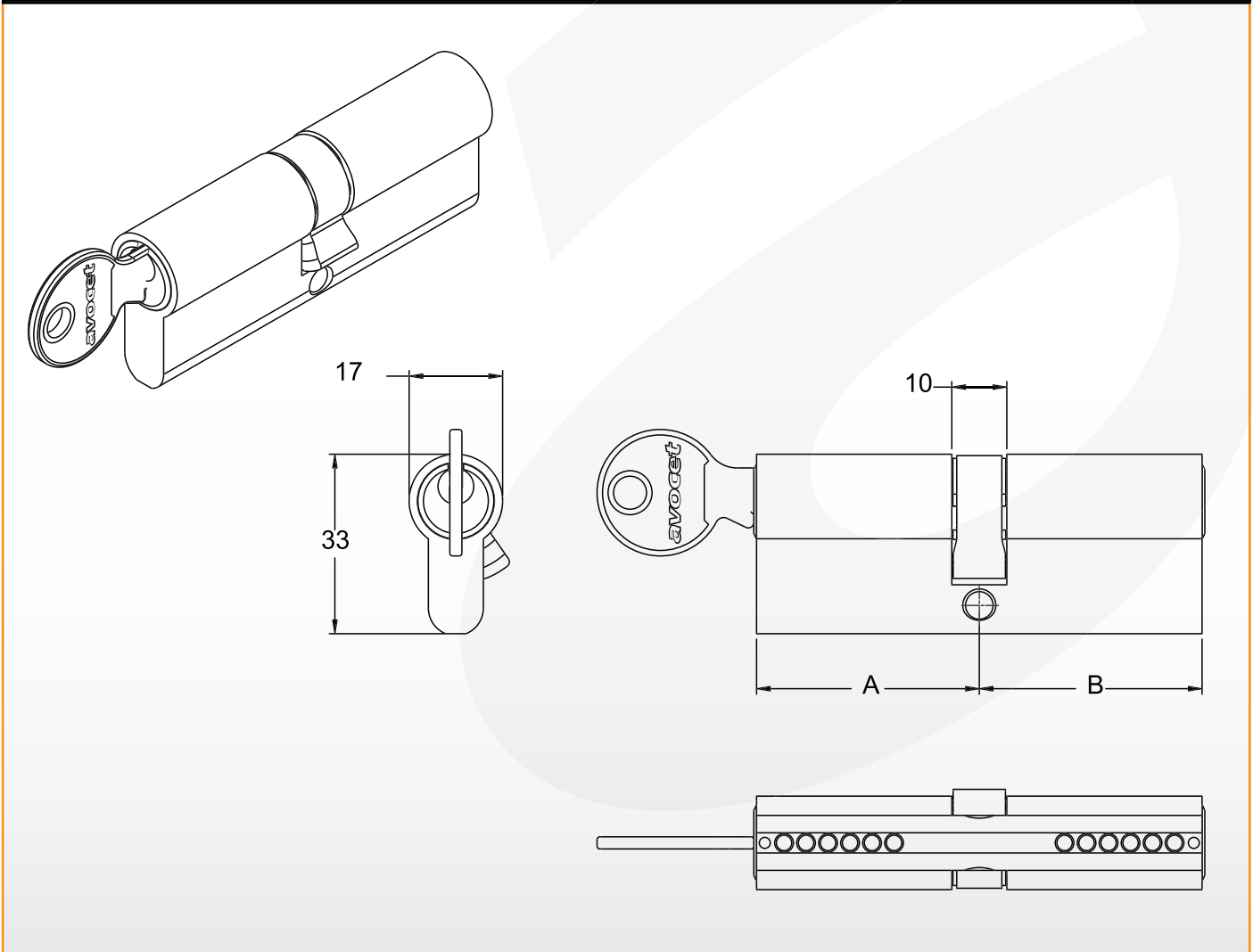


## Technical Information

### 6 PIN EURO CYLINDER - DIMENSIONS



### PRODUCT OPTIONS

TYPE	DIMENSION - A / B														
	35/35	35/45	35/50	40/40	40/45	40/50	40/55	40/60	45/45	45/50	45/55	50/40	50/45	50/50	55/45
STANDARD - BRASS	⌚	⌚		⌚			⌚	⌚	⌚						
STANDARD - NICKEL	⌚	⌚	⌚	⌚			⌚	⌚	⌚					⌚	
KEYED ALIKE - BRASS	⌚					⌚				⌚	⌚				
KEYED ALIKE - NICKEL						⌚	⌚		⌚	⌚	⌚				
THUMB-TURN - BRASS						⌚	⌚			⌚	⌚	⌚	⌚		
THUMB-TURN - NICKEL		⌚			⌚	⌚			⌚	⌚	⌚				⌚

# 6 PIN EURO CYLINDERS

- High performance 6 Pin Anti-drill cylinders offering resistance to drilling, picking, pull & push actions to deter forced entry
- Available in Brass & Nickel finish
- Thumb-turn and keyed alike options available
- 20,000+ combination differs
- Three keys per cylinder
- 360° cam movement
- Complies to the requirements of BS EN1303 Grade 3
- Keyed alike cylinders sold in pairs

## Technical Information

### Assessment Data

**Performance:** Endurance tested to 20,000 operations

**Corrosion resistance:** Meets requirements of BS EN 1670

### Material Specifications

**Cylinder Body:** Brass to BS2872

**Cam:** Sintered Steel (BS5600 pt5)

**Circlip:** CS80 to (BS1449 pt1)

**Coating Details:** Brass and Nickel plated Brass

### Additional Information

**Box Quantity:** 10 units

**Accessories:** Key blanks - KB010, & Connecting Screws



PRODUCT CODES						
PRE-FIX	DIMENSION		OPTIONS (ADD ONE TO CODE)		FINISH	
	A	B	KEYED ALIKE	THUMB TURN	BRASS	NICKEL
PC-AD	35	35	KA	TT	B	N
PC-AD	35	45	KA	TT	B	N
PC-AD	35	50	KA	TT	B	N
PC-AD	40	40	KA	TT	B	N
PC-AD	40	45	KA	TT	B	N
PC-AD	40	50	KA	TT	B	N
PC-AD	40	55	KA	TT	B	N
PC-AD	40	60	KA	TT	B	N
PC-AD	45	45	KA	TT	B	N
PC-AD	45	50	KA	TT	B	N
PC-AD	45	55	KA	TT	B	N
PC-AD	50	40	KA	TT	B	N
PC-AD	50	45	KA	TT	B	N
PC-AD	50	50	KA	TT	B	N
PC-AD	55	45	KA	TT	B	N

e.g: PC-AD35S5KAB = 6 Pin Euro Cylinder, 35 / 35, Keyed Alike, Brass



Call our Sales Team now on 01484 725 001

**avocet**  
HARDWARE