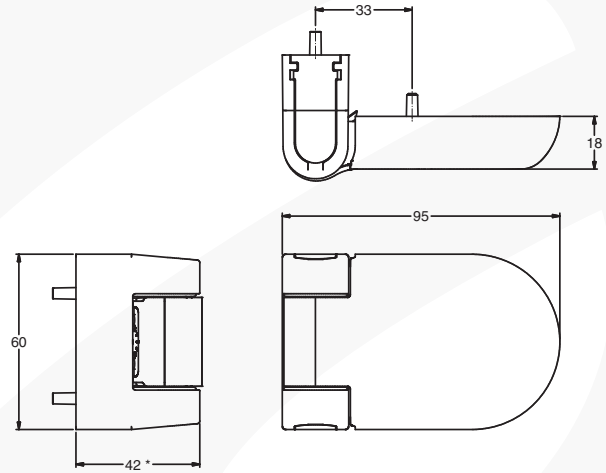
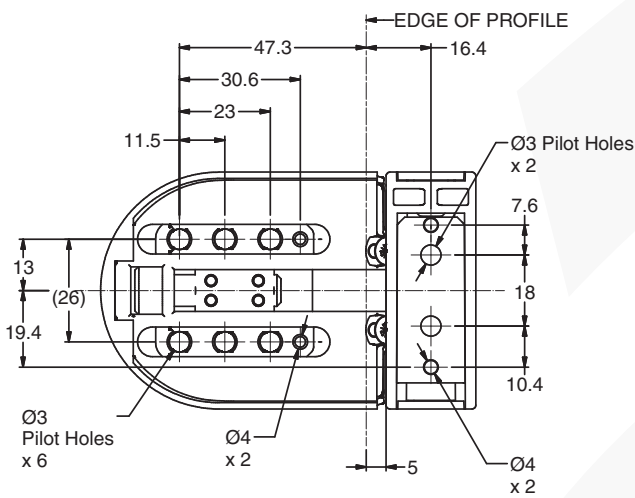


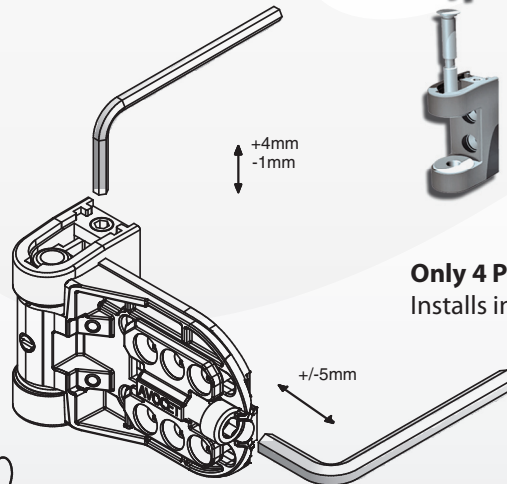
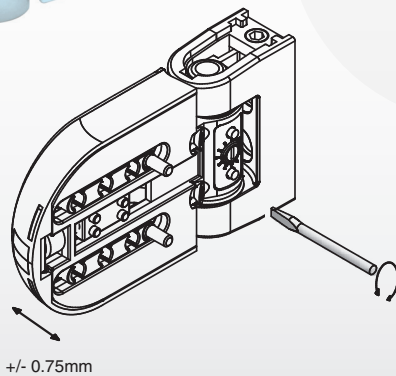
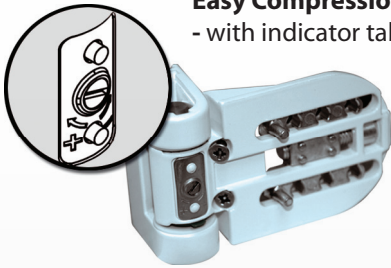
Technical Information

AFFINITY PAS024 3D HINGE - DIMENSIONS



* Available with 36, 38, 40, 42 & 44mm depth body

Easy Compression Adjustment
- with indicator tabs



Only 4 Parts -
Installs in half the time

PRODUCT CODES

AFFINITY	FINISH	UPSTAND OPTIONS									
		(ADD ONE OPTION TO CODE) i.e: DNAFWH20 = White, 20mm Upstand									
		14MM	15MM	16MM	17MM	18MM	19MM	20MM	21MM	22MM	23MM
DNAF	WH	14	15	16	17	18	19	20	21	22	23
DNAF	BL	14	15	16	17	18	19	20	21	22	23
DNAF	BR	14	15	16	17	18	19	20	21	22	23
DNAF	TN	14	15	16	17	18	19	20	21	22	23
DNAF	CG	14	15	16	17	18	19	20	21	22	23
DNAF	CH	14	15	16	17	18	19	20	21	22	23
DNAF	SC	14	15	16	17	18	19	20	21	22	23

Spare Parts List

- Cover Cap (14-15mm Frame) 3DHINGE082
- Cover Cap (16-17mm Frame) 3DHINGE094
- Cover Cap (18-19mm Frame) 3DHINGE095
- Cover Cap (20-21mm Frame) 3DHINGE089

Leaf cover 3DHINGE091

Note: All codes have a suffix relating to the colour required, i.e WH (White), BL (Black), BR (Brown), TN (Caramel), CG (Champagne Gold), CH (Chrome), SC (Satin Chrome), FL (Flint)

Affinity 3D Hinge Jig

Frame: 3DJUPH, Sash Plate: DAJAFFS, Frame Plate: DAJAFFF

- The NEW fast fit Affinity 3D hinge now available to compliment the Affinity range of window & door furniture
- To suit rebate heights of 14mm - 23mm
- PAS024 compliant
- 4 Parts only, no packers or shims required
- Encapsulated butt design to ensure ease of installation
- Independent easy compression adjustment
- Available in White, Black, Brown, Caramel, Gold, Chrome, Satin Chrome & Flint
- Colour coded caps - no plastic inserts
- Fabricator friendly pack layout - one tray, one door; takes less than half the time to install as a standard 3D flag hinge*
- Adjustment instructions on protective pro-tape label
- Square coverplate available, ideal for french or bi-fold doors

Technical Information

Assessment Data

Performance: Endurance tested to 100,000 operations, in accordance to BS EN 12209:2003

Corrosion resistance: All finishes meet the requirements of BS EN 1670 - grade 5 (500 hrs Salt Spray)

Material Specifications

Hinge leaf, Carriage plate & Body: Zinc Alloy BS1004A

Top/Bottom Bush: Nylon 6

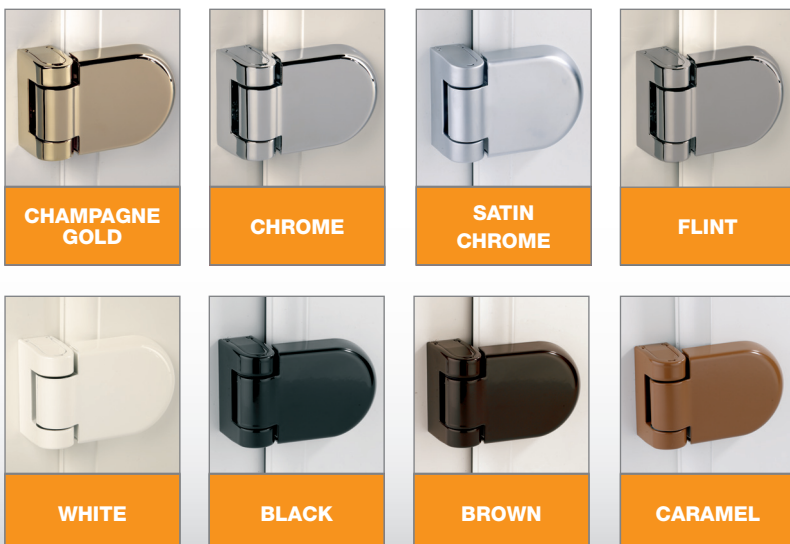
Pins: Stainless Steel

Powder Coating: White, Black, Brown & Caramel, 60 microns minimum coating thickness

PVD/Chrome Coating: Champagne Gold/Chrome/Flint, multiple layer plating process

Additional Information

Box Quantity: 9 Per Box



* Tests conducted at Avocet using Affinity 3D & Triad ET3D hinge



Square Cover Plate Option; available on request - Ideal for French or Bi-Fold doors

Protective Cover on each hinge with adjustment guide



1 tray, 1 door - Quick & Easy Part Selection



- Frame body supplied with pin assembly extended
- Sash carriage & Sledge Preset in nominal position
- Screws provided

