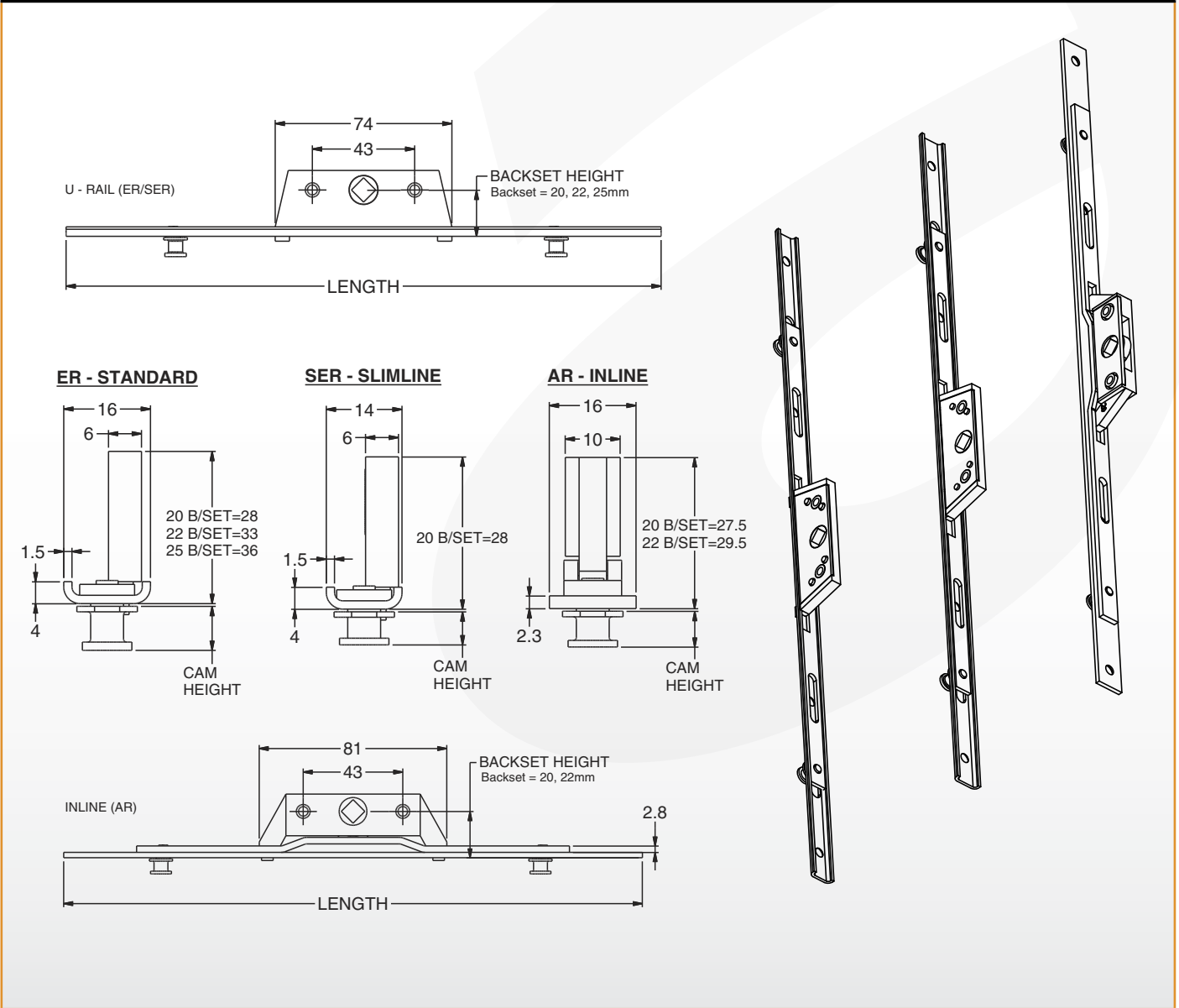


Technical Information

AVOCET ESPAGNOLETTE RODS - DIMENSIONS



PRODUCT OPTIONS

ROD TYPE	BACKSET SIZES			CAM SIZES				ROD LENGTH						
	20	22	25	6	7	8	10	150	250	400	600	800	1000	1200
IN-LINE (AR)	✓	✓	✓	✓	✓	✓	✓	✓	✓	✓	✓	✓	✓	✓
ST'D U-RAIL (ER)	✓	✓	✓	✓	✓	✓	✓	✓	✓	✓	✓	✓	✓	✓
SLIM U-RAIL (SER)	✓	✓	✓	✓	✓	✓	✓	✓	✓	✓	✓	✓	✓	✓

✓ NON-STOCK OPTIONS AVAILABLE ON REQUEST

- New Trivalent Silver finish
- Eurogroove, Flat and U-Rail fitting available
- Eccentric cams to provide smooth operation with 7, 8 and 10mm heights (see product option chart)
- 20mm, 22mm and 25mm backsets (see product option chart)
- Keeps are available for all major profiles (see profile related keep chart on page 40)
- Suitable for uPVC
- For Timber and Aluminium applications please consult the Avocet Technical Department

Technical Information

Assessment Data

Performance: Endurance tested to 25,000 operations

Corrosion Resistance: Meets requirements of BS EN 1670:1998, Grade 3

Material Specifications

All Metal Components: Steel C1008

Gearbox Body: Zinc BS1004A

Coating Details: Steel components - Trivalent plated 20-25 microns coating thickness

Additional Information

Box Quantity: 10 units

Keeps: For profile related keeps please refer to page 40

PRODUCT CODES						
ST'D U-RAIL	SLIM U-RAIL	INLINE	BACKSET SIZE	CAM SIZE	ROD LENGTH	TRIVALENT
		AR	22	7	250/400/600/800/1000	T
		AR	20	8	250/400/600/800/1000/1200	T
		AR	22	8	150/250/400/600/800/1000/1200	T
		AR	20	10	250/400/600/800/1000/1200	T
		AR	22	10	250/400/600/800/1000/1200	T
ER			20	MH8	250/400/600/800/1000/1200	T
ER			22	MH7	250/400/600/800/1000/1200	T
ER			25	MH8	250/400/600/800/1000/1200	T
	SER		20	MH6	250/400/600/800/1000	T
	SER		20	MH8	250/400/600/800/1000	T

i.e: AR208250T = Inline espag rod, 20mm backset, 8mm cams, 250mm rod length
 AR228250T = Inline espag rod, 22mm backset, 8mm cams, 250mm rod length
 ER20MH8400T = St'd U-Rail espag rod, 20mm backset, 8mm cams, 400mm rod length
 SER20MH8600T = Slim U-Rail espag rod, 20mm backset, 8mm cams, 600mm rod length

ADD "T" TO THE END OF CODE FOR TRIVALENT FINISH

ALTERNATIVE SIZES ARE AVAILABLE ON REQUEST



Call our Sales Team now on 01484 725 001

avocet
HARDWARE