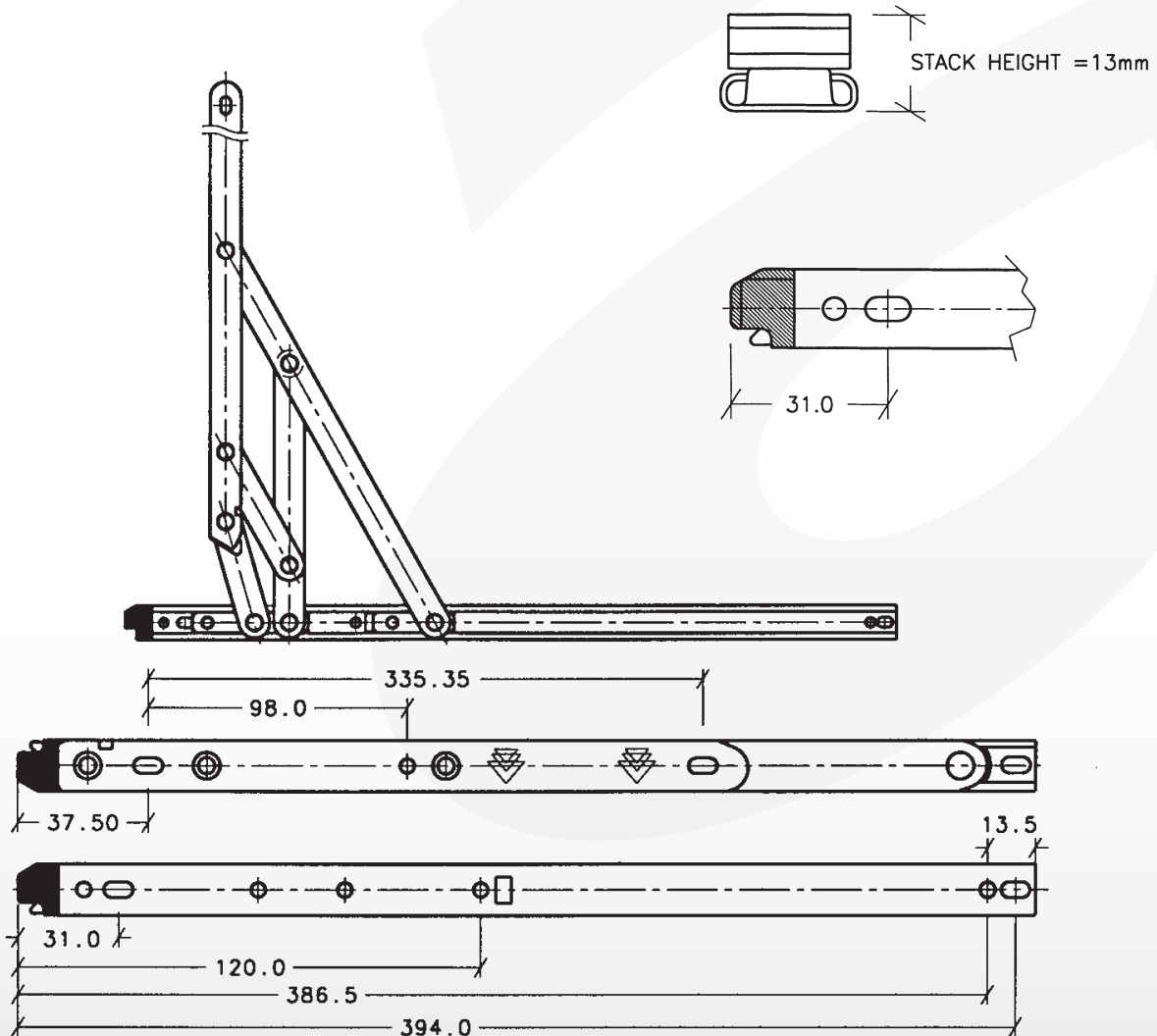


Technical Information

TRIAD EGRESS/EASY CLEAN FRICTION STAYS - DIMENSIONS



PRODUCT CODES

OPTION	STYLE	PART NO.	STACK HEIGHT	SIZE	OPEN ANGLE (°)	MAX WEIGHT (KG)	MAX VENT SIZE (MM) W X H	BOX QTY
			13mm					
OPTION	EASY CLEAN	ECSH12P	✓	12	90	22	600 X 1200	10
		EECSH16P	✓	16	90	24	650 X 1200	10
	EGRESS	ESH12P	✓	12	90	22	600 X 1200	10
		ESH16P	✓	16	90	24	650 X 1200	10

- Side hung - 12" and 16" variants in easy clean and egress/easy clean formats
- Manufactured from high quality 430 grade stainless steel
- 90° opening egress facility
- Easy clean variant with press to release button
- 13mm stack height

Technical Information

Assessment Data

Performance: cycle tested to over 25,000

operations and tested to BS 6375 Pt.1:2004 & Pt 2:1987

Corrosion resistance: meets requirements of BS EN 1670:1998 grade 4

Egress: 16" variant can meet requirements of BS 5588:1998 Pt 1: 1990 & document B of the building regulations, meets requirements of BS 8213 Pt 1:1991

Material Specifications

Track, link and rivets: 430 grade stainless steel

Metal End Nib: Zinc BS1004A

Plastic Components: Nylon 6

Additional Information

Box Quantity: 10

Accessories: Hinge Jigs (page 40), Anti-Jemmy & Child Restrictor (see page 43)

