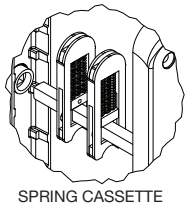
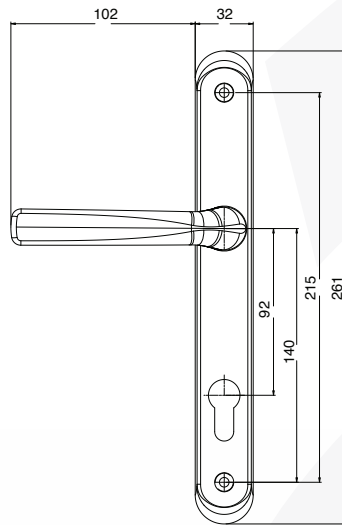


Technical Information

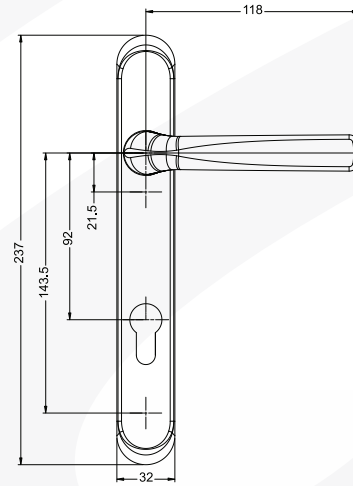
AFFINITY DOOR HANDLES - DIMENSIONS



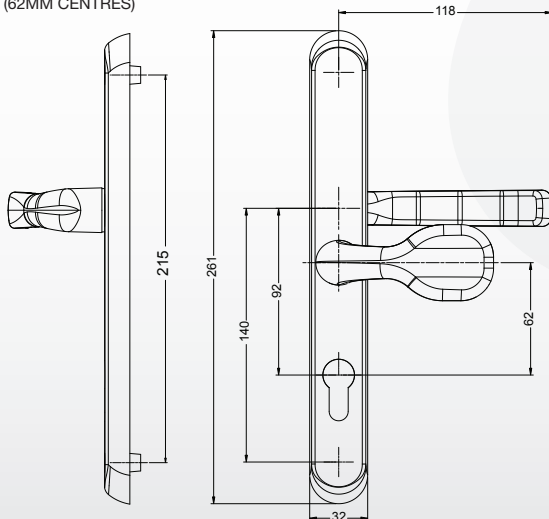
LEVER/LEVER LONG BACKPLATE



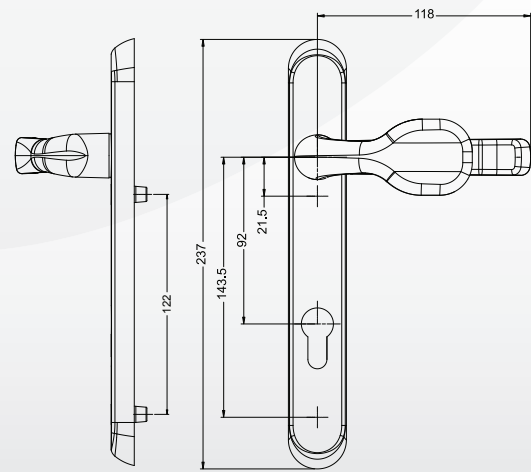
LEVER/LEVER SHORT BACKPLATE



LEVER/PAD LONG BACKPLATE
(62MM CENTRES)



LEVER/PAD SHORT BACKPLATE
(92MM CENTRES)



LEVER/LEVER

CODE	FINISH	LEVER/LEVER	BACKPLATE OPTION (ADD ONE OPTION TO CODE)		ALUMINIUM
			LONG	SHORT	
DHAF	WH	LL	L	S	A
DHAF	BL	LL	L	S	A
DHAF	CH	LL	L	S	-
DHAF	CG	LL	L	S	-
DHAF	FL	LL	L	S	-

LEVER/PAD

CODE	FINISH	LEVER/PAD	BACKPLATE OPTION (ADD ONE OPTION TO CODE)		ALUMINIUM
			LONG	SHORT	
DHAF	WH	LP	L	S	A
DHAF	BL	LP	L	S	A
DHAF	CH	LP	L	S	-
DHAF	CG	LP	L	S	-
DHAF	FL	LP	L	S	-

i.e: DHAFWHL LLA = Affinity Door Handle, White, Lever/Lever, Long Backplate, In Aluminium

i.e: DHAFWHLPS = Affinity Door Handle, White, Lever/Pad, Short Backplate, In Zinc

French Door Slave Handle Sets: DHAF XX **FD** (L)(S)

French Door Blank Plate: DHAF XX **BP** (L)(S)

XX to be replaced with coating Prefix, i.e: WH - White

- Introducing the NEW Affinity door handle range suited with inline, cranked & tilt & turn window handles (pages 15-19) and letterplates
- Available with both long and short backplate options to suit all current door bolt locking systems
- Handles are non-handed allowing them to be used as either a left or right hand (supplied with spring cassette)
- Lever-Lever & Lever-Pad with French door and blank backplates available
- The handle range is suited with door hinge, letter plate, door knocker & numerals, espagnolette window handles (inline or cranked) and tilt & turn handle
- Available in White, Black, Champagne Gold, Chrome, & Flint
- Powder coated versions are available in zinc or aluminium
- Supplied with a minimum of 2 spindles & 2 sets of screws to suit profiles 58-70mm

Technical Information

Assessment Data

Performance tested to 100,000 operations

Corrosion resistance: All finishes meet the requirements of BS EN 1670 - grade 5 (500 hrs Salt Spray)

Material Specification

Handle/Backplate: Zinc Alloy BS1004A or aluminum A360

Spindle: Steel C1008, Zinc plated and yellow passivated

Powder Coating: White & Black, 60 microns min coating thickness

PVD/Chrome Coating: Champagne Gold/Chrome/Flint, multiple layer plating process

Additional Information

Box Quantity: 10 Pairs



WHITE



BLACK



CHAMPAGNE
GOLD



CHROME



FLINT

