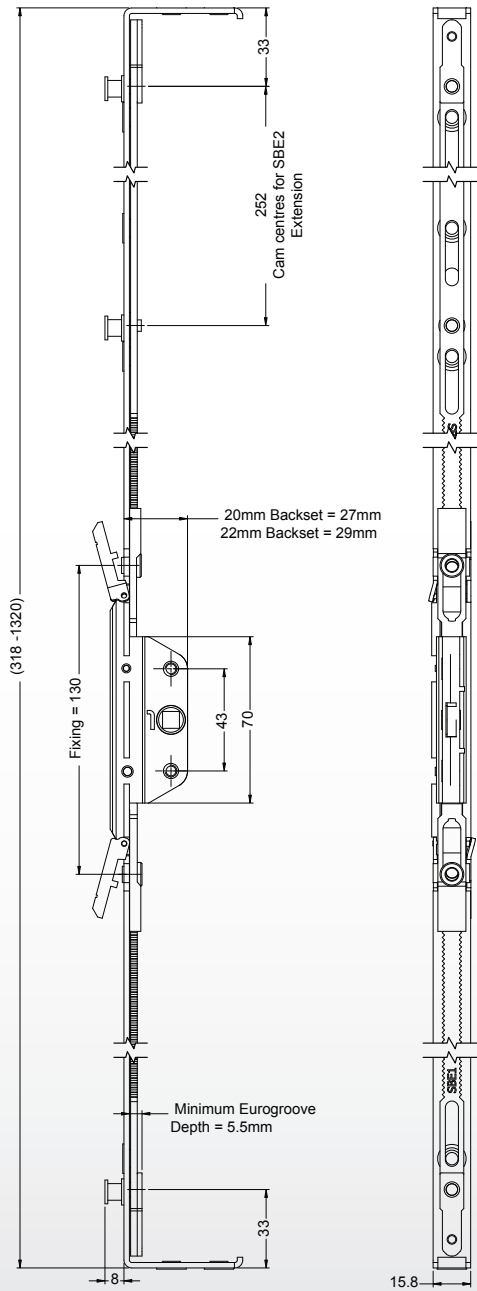


Technical Information

AVOCET SHOOTBOLT - DIMENSIONS



Combined corner keep size 1 & 2



Intermediate keep size 2 only



NEW strengthened shoot

Rods preset in unlocked position. Automatic disengagement when handle is operated.

PROFILE	KEEP LH	KEEP RH	MUSH-ROOM KEEP
DIPLOMAT INT TRANSOM	SO21A	SO23A	SO22A
DURAFLEX DIAMOND	SO11A	SO10A	SO12A
EUROCELL 60mm	SO16C	SO17C	SO18C
EUROCELL ULTIMATE 70	SO33A	SO34A	SO35A
EUROCELL LOGIK	SO72A	SO73A	SO71A
EUROCELL LOGIK OVALO	SO72A	SO73A	SO71A
KBE MAVINE 58mm	SO49A	SO51A	SO50A

PROFILE	KEEP LH	KEEP RH	MUSH-ROOM KEEP
PLASTMO INDEX 70mm	SO36A	SO37A	SO38A
PLASTMO INDEX VOGUE	SO36A	SO37A	SO38A
REHAU S706	SO36A	SO37A	SO38A
REHAU S706 INTEGRAL	SO26A	SO30A	SO27A
SELECTA ADVANCE 70	SO26A	SO30A	SO27A
SYNSEAL SHIELD	SO21A	SO23A	SO22A
SYNSEAL SYNERJY	SO80A	SO81A	SO82A

- New Trivalent silver finish
- Easy fit eurogroove mounted window shootbolt system tested to BS7950:1997
- Fits window sash rebate sizes 318mm to 1320mm
- Eurogroove fit (5.5mm minimum depth)
- 20mm & 22mm gearbox backset sizes
- New strengthened shoot
- Reduced installation time - 2 croppable extensions to reduce stock holding
- Quick fit clip for securing shoots to gearbox
- A selection of profile related keeps available (Refer to keep chart on page 23)
- Combination corner keeps (cam and shootbolt) require no additional measuring reducing installation time

Technical Information

Assessment Data

Performance: Endurance tested to 25,000 operations

Corrosion resistance: Meets requirements of BS EN 1670: 1998 Grade 3

Material Specifications

Face Rail: Steel C1008

Gearbox Body and Connectors: Zinc BS1004A

Coating Details: Steel/Zinc plated and yellow passivated, 12-18 microns coating thickness, Trivalent silver 20-25 microns coating thickness

Additional Information

Box Quantity: 10 units

PRODUCT CODES			
COMPONENT DESCRIPTION	WINDOW SIZES	PRODUCT CODE*	QTY
GEARBOX SIZE 1	20MM BACKSET	SBGB4(T)	1
GEARBOX SIZE 2	22MM BACKSET	SBGB5(T)	1
EXTENSION SIZE 1	318-820 SASH REBATES	SBE1(T)	2
EXTENSION SIZE 2	821-1320 SASH REBATES	SBE2(T)	2

* For Trivalent silver finish add a "T" to the end of the product code

(SEE PROFILE RELATED CHART FOR KEEP CODES ON PAGE 22)

