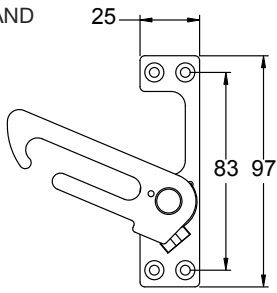


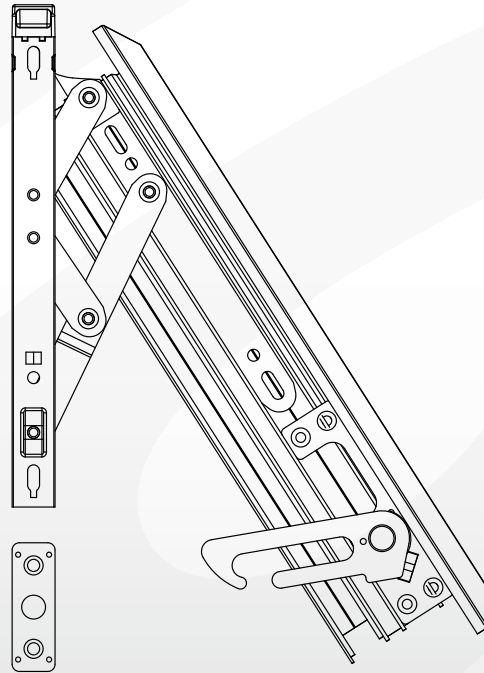
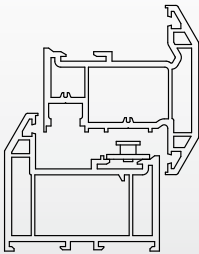
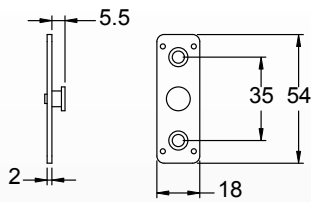
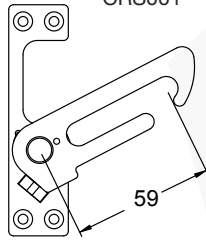
Technical Information

**CHILD RESTRICTOR STAY**

LEFT HAND  
CRS002

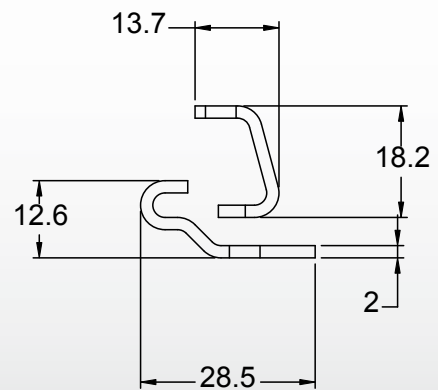
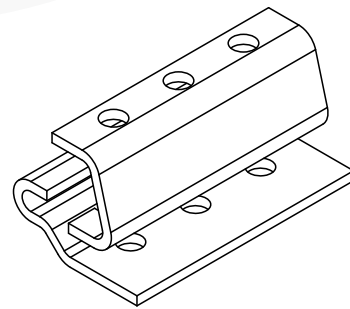
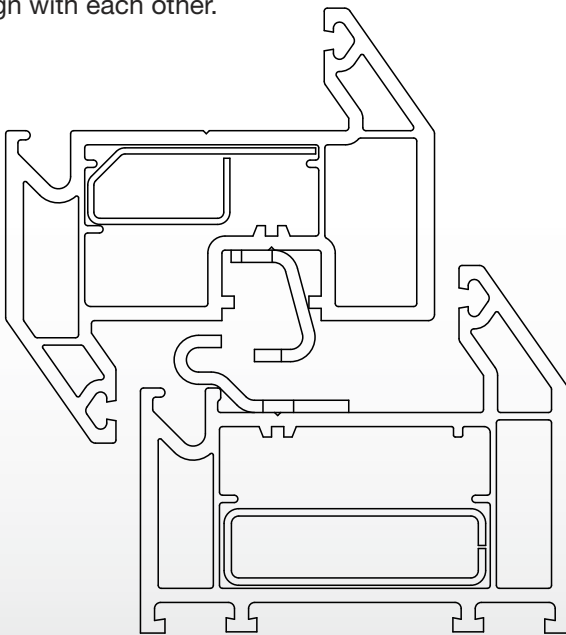


RIGHT HAND  
CRS001



**ANTI JEMMY DEVICE**

Note: Position close to friction stay corner. Frame & Sash parts are to align with each other.



### Child Restrictor Stay

- Used in conjunction with friction stays and butt hinges
- Designed for top or side hung windows
- Conforms to BS6375 part 2 & BS 8213
- Designed to limit opening of window to 100mm
- Can be released to facilitate full opening of the window
- Automatically re-engages restricted position on closing of window
- Available in left and right hand variants to suit requirements
- Manufactured from Steel C1008, Silver Trivalent finish to meet BS 1670:1998 Grade 3

PRODUCT CODE	
CODE	DESCRIPTION
CRS001	CHILD RESTRICTOR STAY - RIGHT HAND
CRS002	CHILD RESTRICTOR STAY - LEFT HAND

**Please Note:** The Child Restrictor Stay is intended to prevent children from easily opening a window and is not an anti-theft device.

May require packers to suit different profiles. Contact Avocet technical department for more information.

### Additional Information

**Box Quantity:** Inner 10, Outer 200

### Window Anti-Jemmy Device

- Will fit most profiles
- Easy to fit on both side and top hung windows
- Added security with friction stays to help in conforming to BS 7950
- Manufactured from Steel C1008, Silver Trivalent finish to meet BS 1670:1998 Grade 3
- Supplied as a pair - one to fit on sash and one for the frame

PRODUCT CODE	
CODE	DESCRIPTION
AJ002	AVOCET WINDOW ANTI JEMMY DEVICE

### Additional Information

Sold single in bag format or in bulk box format

**Box Quantity:** 450

