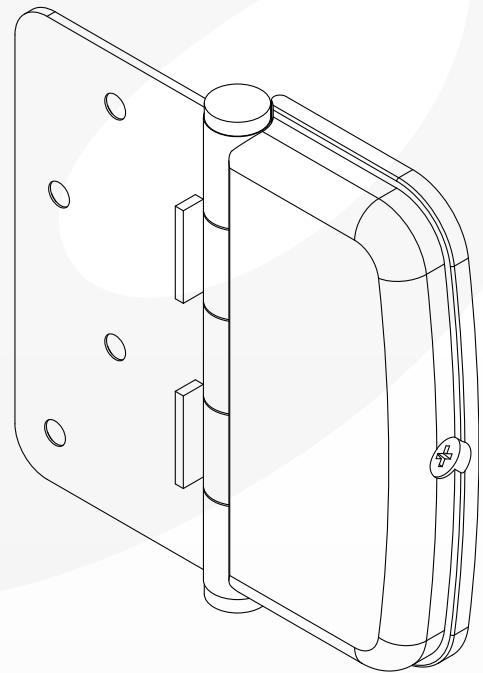
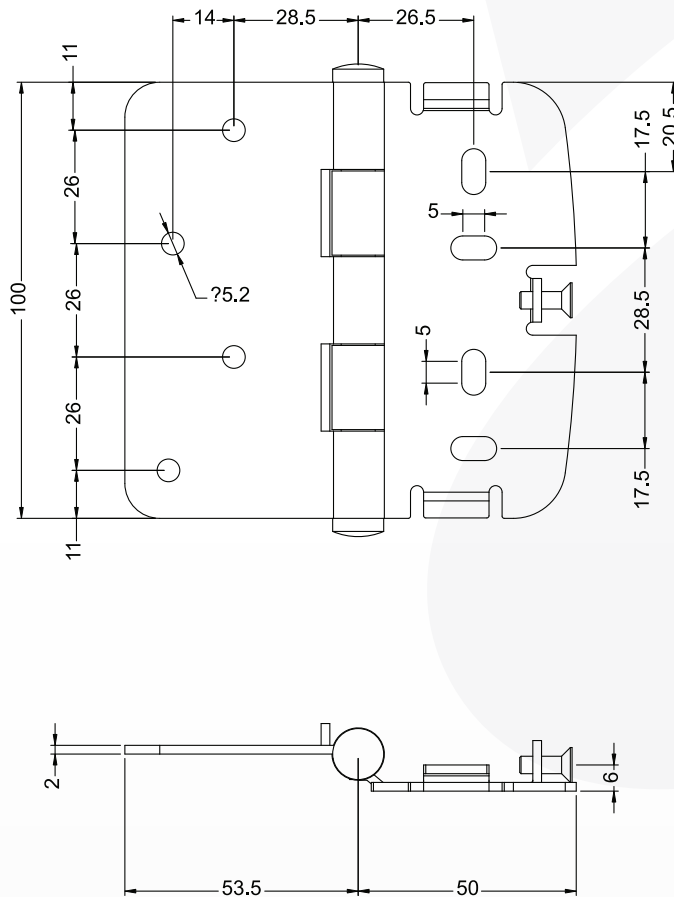


## Technical Information

### COMPOSITE DOOR HINGE - DIMENSIONS



#### PRODUCT CODES

COMPOSITE DOOR HINGE	FINISH
TCDHWH	WHITE
TCDHBL	BLACK
TCDHCG	C. GOLD
TCDHCH	CHROME

# COMPOSITE DOOR HINGES

- A range of hinges with 2D features combining the benefits of a butt hinge with the adjustability of a face fix hinge
- Horizontal & vertical adjustment to ensure accurate positioning of the sash
- Robust stainless steel construction
- Available in White, Black, Champagne Gold & Chrome

## Technical Information

### Assessment Data

**Performance:** Endurance tested to 100,000 operations

**Corrosion resistance:** Champagne Gold/Chrome meet requirements of BS EN 1670 - grade 4 (240 hrs Salt Spray), Powder Coated - grade 5 (500 hrs Salt Spray)

### Material Specification

**Hinge Body:** Stainless steel

**Hinge Leaf Cover:** Zinc Alloy BS1004A

**Hinge Pin:** 304 Stainless Steel

**Powder Coating:** White & Black, 60 microns minimum coating thickness

**PVD/Chrome Coating:** Champagne Gold/Chrome, multiple layer plating process

### Additional Information

**Box Quantity:** 50



WHITE



BLACK



CHAMPAGNE  
GOLD



CHROME



POLISHED  
FINISH

**240**  
HOURS  
SALT SPRAY  
GUARANTEE

POWDER  
COATED

**500**  
HOURS  
SALT SPRAY  
GUARANTEE

**10**  
YEAR  
MECHANICAL  
GUARANTEE

Call our Sales Team now on 01484 725 001

**avocet**  
HARDWARE