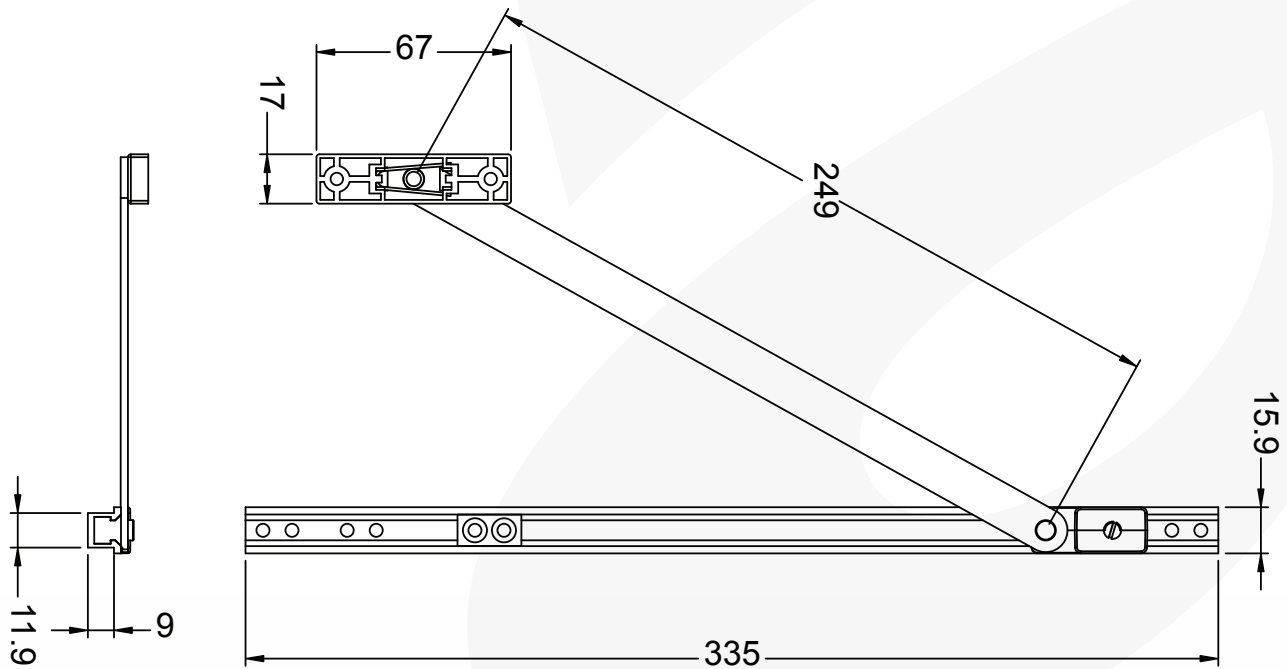


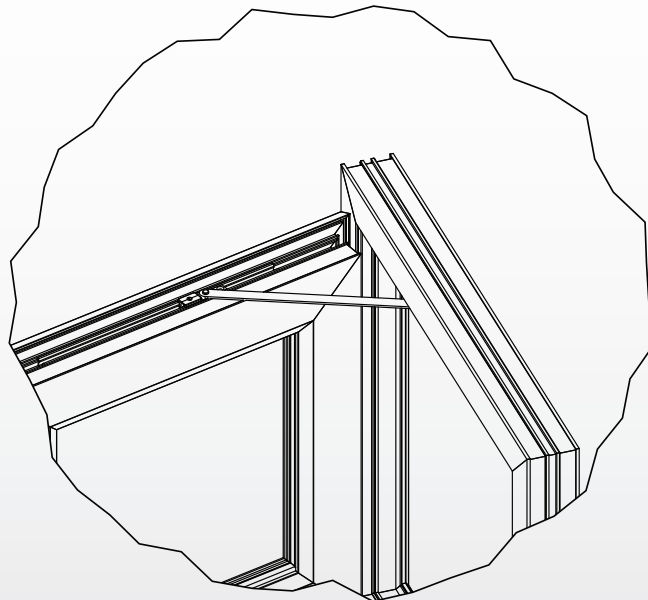
Technical Information

DOOR RESTRICTOR - INSTALLATION GUIDELINES

Fitting instructions apply to both types.



Position track in eurogroove to give 90° stop.



DOOR RESTRICTORS

- Restrictor limits door opening to a preset position or to maximum of 90°
- Easy to fit in eurogroove & bracket to frame
- Slider contains friction screws to hold the door open in mild wind conditions
- 335mm length
- Suitable for all major uPVC profiles

Technical Information

Assessment Data

Performance: tested to 100,000 operations

Corrosion resistance: meets requirements of BS EN 1670:1998 Grade 4

Material Specifications

Track: Aluminium Extruded (SLDR),

Stainless steel 430 (RS10)

Slider/Endcap: Nylon 66

Frame locator: Zinc BS1004A

Additional Information

Box Quantities: Boxes of 20 or 100



PRODUCT CODES	
CODE	DESCRIPTION
SLDR	EUROGROOVE MOUNTED - DOOR RESTRICTOR
RS10	NON-EUROGROOVE - DOOR RESTRICTOR, SUITABLE FOR ALUMINIUM



Call our Sales Team now on 01484 725 001

avocet
HARDWARE