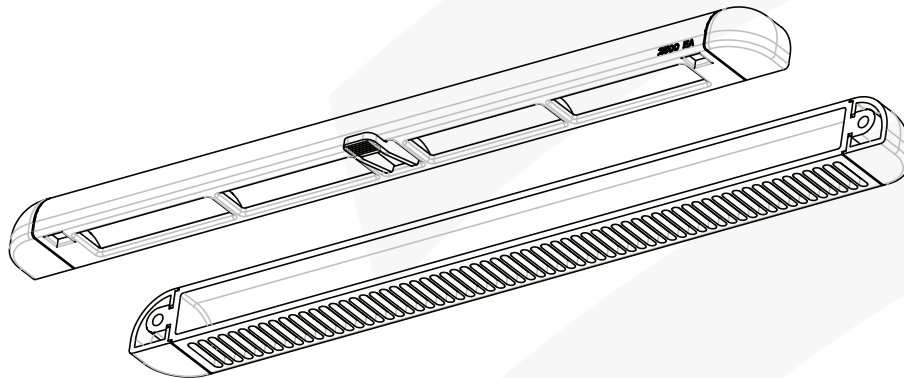
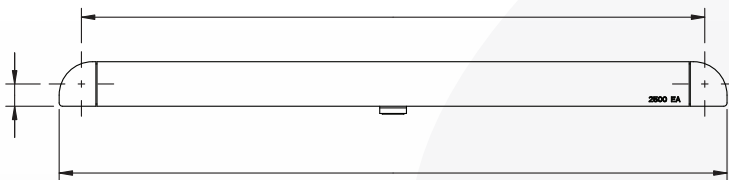


## Technical Information

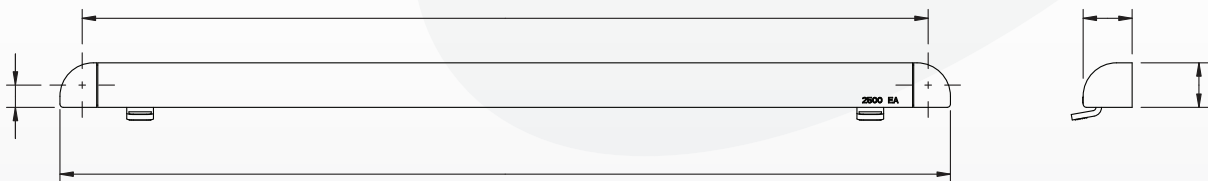
### FRAMEVENT - DIMENSIONS



#### 2500 SHORT



#### 2500 STANDARD



#### 5000HF HIGH FLOW



### PRODUCT OPTIONS

	LENGTH	EA AS PER BS 13141-1:2004	SLOT SIZE	BOX QTY
FRAMEVENT 2500-10	400MM	2500MM <sup>2</sup>	365 X 10MM	100
FRAMEVENT 5000 - 10	795MM	5000MM <sup>2</sup>	2X (365 X 10MM) + (35MM LAND)	50
FRAMEVENT 2500-12.5	400MM	2500MM <sup>2</sup>	330 X 12.5MM	100
FRAMEVENT 5000-12.5	795MM	5000MM <sup>2</sup>	2X (330 X 12.5MM) + (35MM LAND)	50
FRAMEVENT 2500-15	300MM	2500MM <sup>2</sup>	245 X 15MM	100
FRAMEVENT 5000-15	595MM	5000MM <sup>2</sup>	2X (245 X 15MM) + (35MM LAND)	50

The following slot heights are recommended: For 300 (15mm Slot), 400 (12.5mm Slot), 415 (10mm Slot)



- Available in 5000mm<sup>2</sup> and 2500mm<sup>2</sup> equivalent area models for compliance with approved Document F 2006
- Suitable for PVCu, timber and aluminium windows
- A robust smooth slim and elegant design
- Snap on quick fit end caps
- Positive open and close action
- Available in four colours: Standard White, Bright White, Brown, Light Oak & Cream
- Integral flyscreen in external hood
- Available with rod control
- Can be fitted to give up-draft or down-draft



## Technical Information

### Assessment Data

**Performance:** tested in accordance with BS EN 1026:2000 & BS EN 1027:2000 weather performance - water tightness of 400pa

**Sleeves available to ensure full compliance with BS 7412:2002**

**Acoustic:** tested in accordance with BS EN 20140-10:1992 and ISO 140-10:1991

**Weather performance:** tested to BS EN 1027:2000

### Additional Information

**Box Quantity:** See chart overleaf



PRODUCT CODES	
CODE	DESCRIPTION
0530026	BRIGHT WHITE - 300, 2500MM <sup>2</sup> -15
0530027	LIGHT OAK - 300, 2500MM <sup>2</sup> -15
0530028	BROWN (MAHOGANY) - 300, 2500MM <sup>2</sup> -15
0530029	STANDARD WHITE - 400, 2500MM <sup>2</sup> -12.5
0530030	BRIGHT WHITE - 400, 2500MM <sup>2</sup> -12.5
0530031	LIGHT OAK - 400, 2500MM <sup>2</sup> -12.5
0530032	BROWN (MAHOGANY) - 400, 2500MM <sup>2</sup> -12.5
0530033	STANDARD WHITE - 595, 5000MM <sup>2</sup> -15
0530034	BRIGHT WHITE - 595, 5000MM <sup>2</sup> -15
0530035	LIGHT OAK - 595, 5000MM <sup>2</sup> -15
0530036	BROWN (MAHOGANY) - 595, 5000MM <sup>2</sup> -15
0530052	CREAM - 300, 2500MM <sup>2</sup> -15
0531106	DUAL COLOUR - WHITE INNER, BROWN OUTER - 400, 2500MM <sup>2</sup> -12.5

