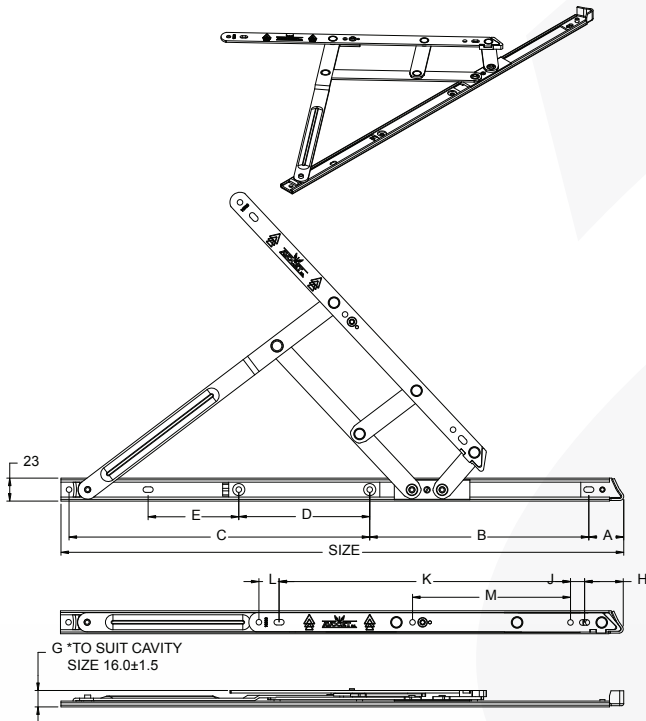
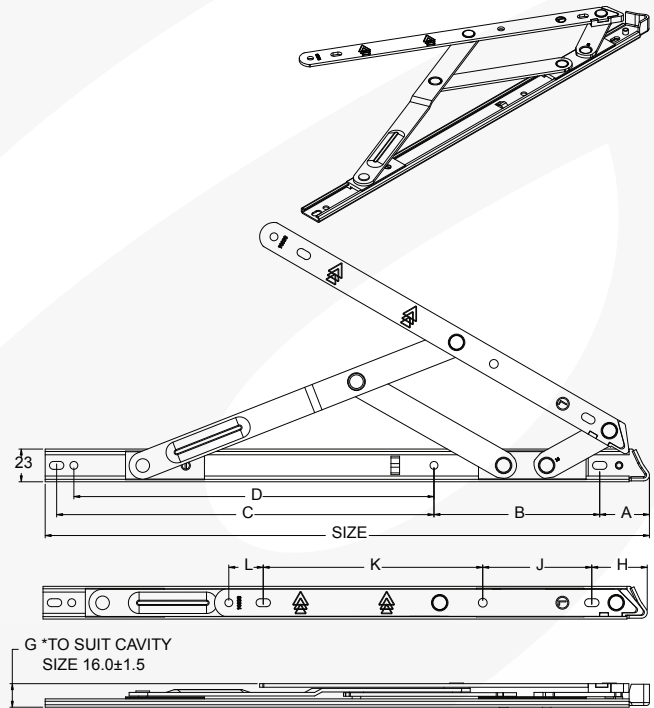


Technical Information

HEAVY DUTY TRIAD FRICTION STAY



SIDE/TOP HUNG



EGRESS

DIMENSIONS - MM

| | SIZE | A | B | C | D | E | F | G | H | J | K | L | M | N |
|-----------|------|------|-------|-------|-------|-------|-------|----|------|------|-------|------|-------|------|
| SIDE HUNG | 10" | 34.5 | 167.5 | 44.0 | - | - | - | 16 | 38.5 | 27.0 | 106.0 | 19.0 | - | - |
| | 16" | 34.5 | 243.5 | 120.0 | 41.5 | - | - | 16 | 38.5 | 90.0 | 139.0 | 24.0 | - | - |
| TOP HUNG | 10" | 34.5 | 16.5 | 44.0 | - | - | - | 16 | 38.5 | 27.0 | 101.0 | 24.0 | - | - |
| | 16" | 34.5 | 243.5 | 120.0 | 41.5 | - | - | 16 | 38.5 | 14.0 | 215.0 | 24.0 | 76.0 | - |
| | 22" | 34.5 | 217.5 | 298.5 | 130.0 | 90.0 | - | 16 | 38.5 | 14.0 | 289.5 | 20.0 | 157.0 | - |
| | 26" | 34.5 | 141.5 | 476.0 | 130.0 | 130.0 | 117.5 | 16 | 38.5 | 14.0 | 364.5 | 40.0 | 184.5 | 35.0 |
| EGRESS | 12" | 34.5 | 91.5 | 170.0 | 158.0 | - | - | 16 | 38.5 | 31.0 | 142.0 | 15.0 | - | - |
| | 16" | 34.5 | 115.5 | 263.0 | 251.0 | - | - | 16 | 38.5 | 76.0 | 153.0 | 24.0 | - | - |

HEAVY DUTY TRIAD FRICTION STAYS

- A range of heavy duty top, side & egress variants
- Suitable for commercial applications including Aluminium & Timber
- Manufactured from 304 or 430 grade stainless steel with a steel end cap and reinforced link - brass slider
- Suitable for stack heights of 16-18mm
- 22mm Track, 20mm vent arm

Technical Information

Assessment Data

Performance: cycle tested to over 50,000 operations

Corrosion resistance: meets requirements of BS EN 1670:1998 grade 5

Egress variants: can meet requirements of BS 5588:1998 Pt 1: 1990 & document B of the building regulations

Material Specifications

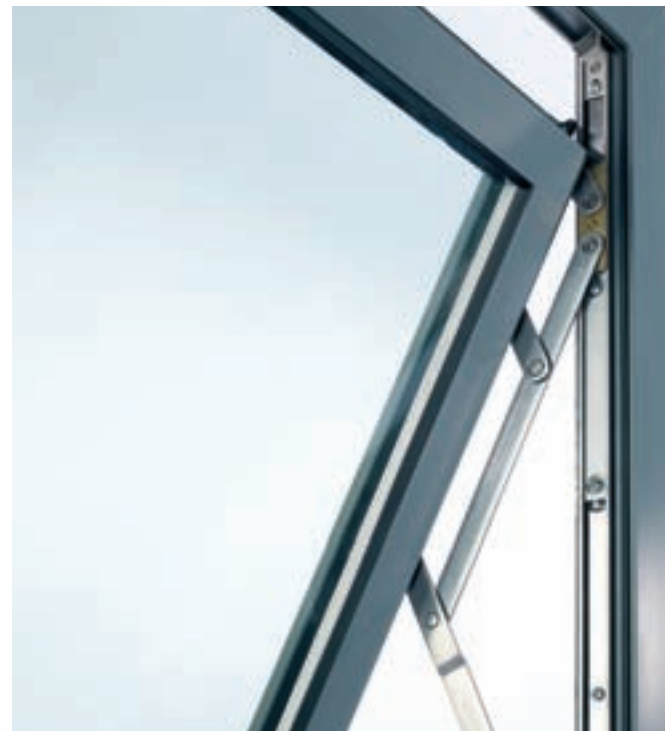
Track, link and rivets: Austenitic (304) or Ferretic (430) stainless steel

Slider: Brass

Nib: Glass reinforced Nylon

Additional Information

Box Quantity: 30 pairs



| PRODUCT CODES | | | | | | |
|---------------|----------|-------------|----------------|-----------------|--------------------|------------|
| | PART NO. | LENGTH (MM) | OPEN ANGLE (°) | MAX WEIGHT (KG) | MAX VENT SIZE (MM) | AUSTENETIC |
| SIDE HUNG | HDSH10P | 254 | 75 | 40 | 650 | WIDTH A |
| | HDSH16P | 406 | 80 | 50 | 900 | WIDTH A |
| TOP HUNG | HDTH10P | 254 | 50 | 50 | 700 | HEIGHT A |
| | HDTH16P | 405 | 50 | 60 | 1120 | HEIGHT A |
| | HDTH22P | 559 | 50 | 75 | 1500 | HEIGHT A |
| | HDTH26P | 660 | 25 | 150 | 2000 | HEIGHT A |
| EGRESS | EHDSH12P | 304 | 88 | 35 | 700 | WIDTH A |
| | EHDSH16P | 420 | 88 | 45 | 900 | WIDTH A |

For Austenitic Heavy Duty Friction Stays add an 'A' to the end of the product code, i.e. HDSH10PA = 10" Austenitic Steel, Side Hung Heavy Duty Friction Stay.



Call our Sales Team now on 01484 725 001

avocet
HARDWARE