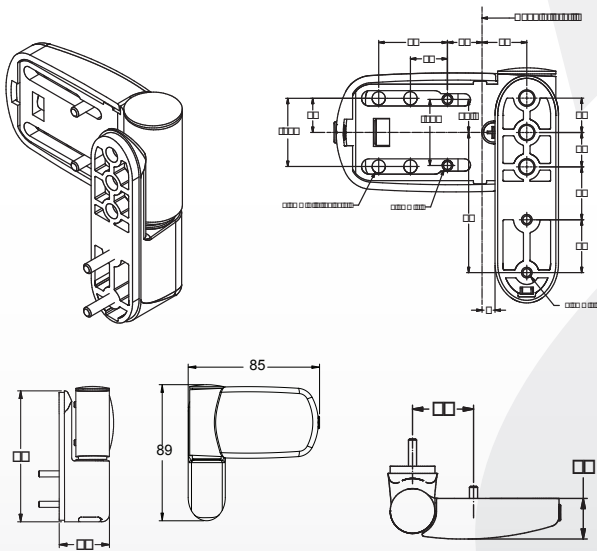


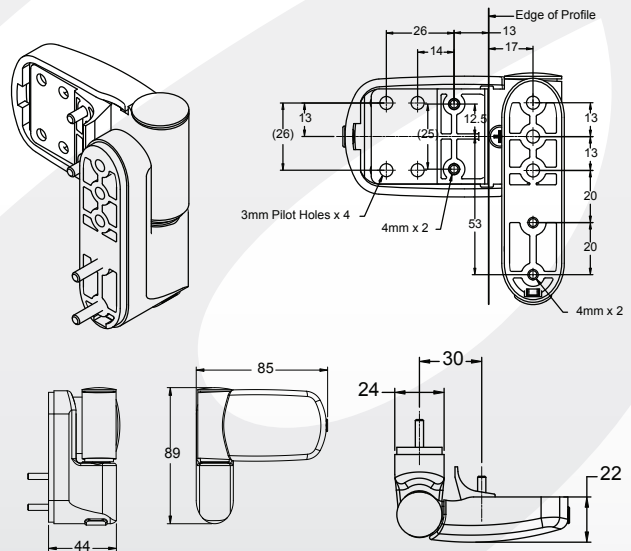
## Technical Information

### MINI 3D HINGE - DIMENSIONS

Standard Mini 3D Hinge



Synseal Type Mini 3D Hinge



### PRODUCT CODES

SYNSEAL VARIANT	STANDARD	FINISH
(ADD ONE OPTION TO THE BEGINNING OF THE CODE)		
SY3D	MT3D	WH
SY3D	MT3D	BL
SY3D	MT3D	BR
SY3D	MT3D	C
SY3D	MT3D	CG
SY3D	MT3D	CH
SY3D	MT3D	FL

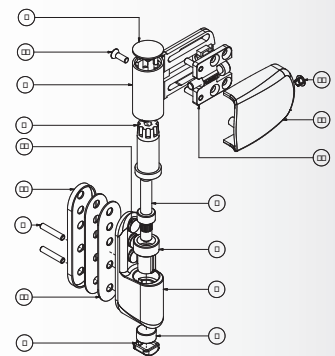
i.e: MT3DWH = White, Mini 3D Hinge  
SY3DWH = White, Synseal Type Mini 3D Hinge

### Key to product codes

<b>Finish:</b>	C - Caramel
WH - White	CH - Chrome
BL - Black	CG - Champagne Gold
BR - Brown	FL - Flint

### Parts List

- 1). Hinge Body
- 2). Body Sleeve
- 3). Straight Pin
- 4). Adjustment Screw
- 5). **Bottom Cover Cap (XX3DHINGE009)**
- 6). Hinge Leaf
- 7). Leaf Sleeve
- 8). **Top Cover Cap (XX3DHINGE008)**
- 9). Pin 2
- 10). Hinge Leaf Cover
- 11). **Screw Hole Cover (XX3DHINGE011)**
- 12). Screw - CSK, M4 x 12mm
- 13). **Leaf Cover Cap (XX3DHINGE013)**
- 14). **1mm Shim (XX3DHINGE015)**  
**5mm Shim (XX3DHINGE037)**
- 15). **Shoe Cover (XX3DHINGE016)**
- 16). Standard MT Hinge Carriage



The parts marked in bold can be ordered as spare/replacement items

XX to be replaced with coating Prefix as listed opposite,  
i.e. WH3DHINGE015 = White 1mm Shim for MT 3D Hinge

Contact your Avocet Sales Advisor for more information

# MINI TRIAD 3D HINGE

- Market leading aesthetically pleasing 3D Hinge
- 3 way adjustment combining product excellence with ease of fabrication
- Hinge to suit rebate heights 12-16mm+ (19mm with packers)
- Simple allen key adjustment enables door movement to be compensated for without the need of an installation engineer
- Available in White, Black, Brown, Caramel, Champagne Gold, Chrome & Flint

## Technical Information

### Assessment Data

**Performance:** Endurance tested to 100,000 operations,

Load tested to 100kg on 3 hinges

**Corrosion resistance:** All finishes meet the requirements of BS EN 1670 - grade 5 (500 hrs Salt Spray)

### Material Specifications

**Hinge leaf, plate & body:** Zinc Alloy BS1004A

**Top/Bottom Nylon Bush:** Nylon 6

**Screws & Pins:** Stainless Steel

**Powder Coating:** White, Black, Brown & Caramel, 60 microns min coating thickness

**PVD/Chrome Coating:** Champagne Gold/Chrome/Flint, multiple layer plating process

### Additional Information

**Multipacks:** Packs of 24 available to order (Add MP to end of code)

**Box Quantity:** Outer Box: 50, Packaged Single



CHAMPAGNE  
GOLD



CHROME



FLINT



WHITE



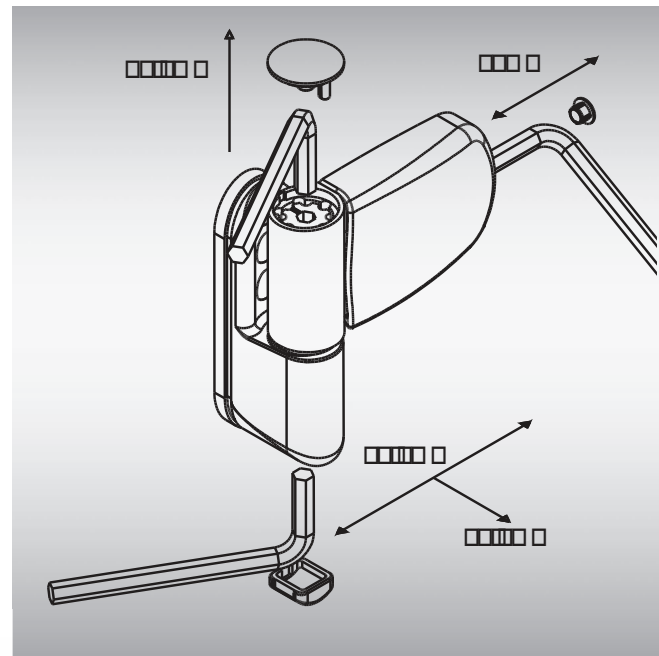
BLACK



BROWN



CARAMEL



Call our Sales Team now on 01484 725 001

**avocet**  
HARDWARE