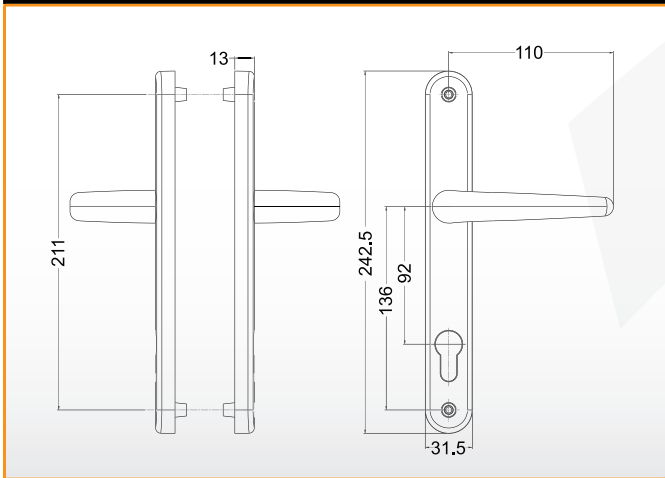
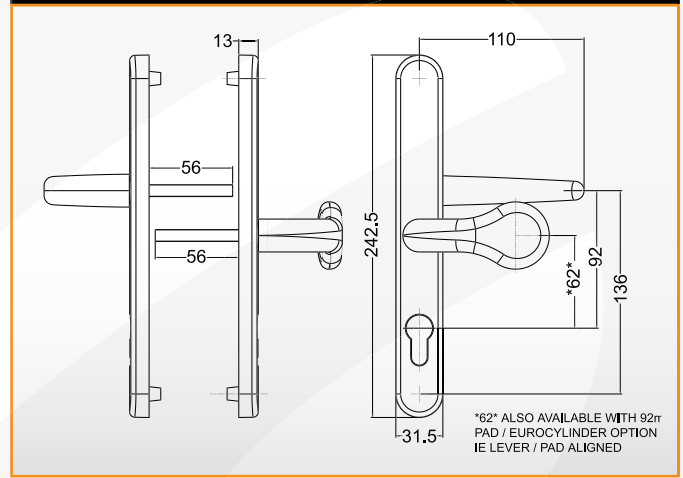


Technical Information

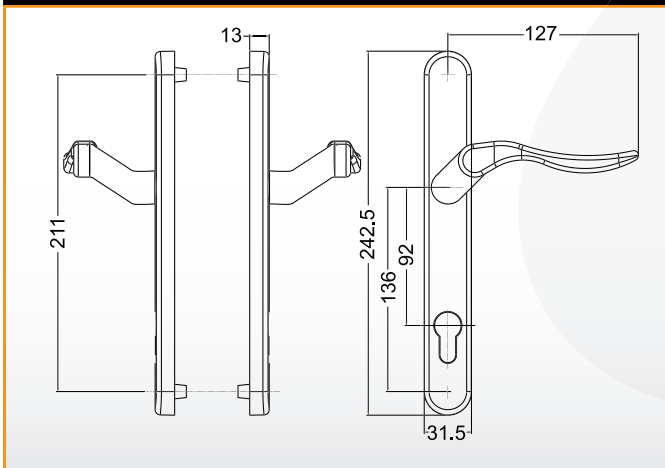
LEVER/LEVER - INLINE



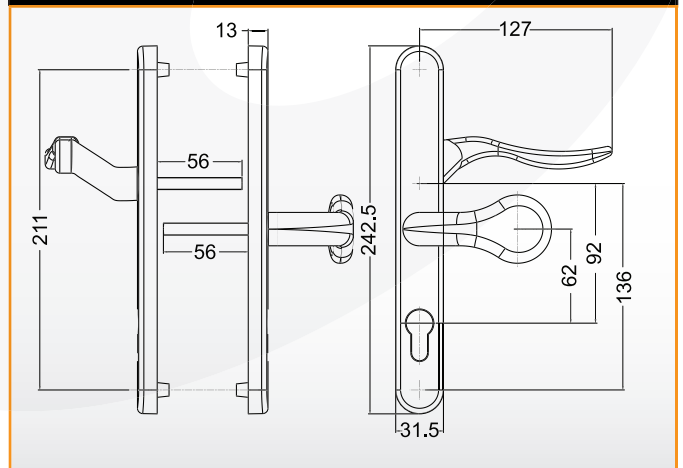
LEVER/PAD - INLINE



LEVER/LEVER - SCROLL



LEVER/PAD - SCROLL



PRODUCT OPTIONS

PIONEER DOOR HANDLE	FINISH	ADD ONE OPTION TO CODE		ALUMINIUM	SCROLL HANDLE (ADD "C" TO THE END OF THE CODE)
		LEVER/LEVER	LEVER/PAD		
DHPN	WH	LL	LP	A	C
DHPN	BL	LL	LP	A	C
DHPN	CG	LL	LP	-	C
DHPN	CH	LL	LP	-	C
DHPN	SC	LL	LP	-	C
DHPN	FL	LL	LP	-	C

Straight handle:

- i.e: DHPNWHLL = Pioneer, White, Lever/Lever
- DHPNWHLLA = Pioneer, White, Lever/Lever, Aluminium
- DHPNWHLP = Pioneer, White, Lever/Pad

Scroll Handle:

- i.e: DHPNWHLLC = Pioneer, White, Lever/Lever, Scroll design
- DHPNWHLLAC = Pioneer, White, Lever/Lever, Aluminium, Scroll design
- DHPNWHLPC = Pioneer, White, Lever/Pad, Scroll design

Key to product codes

Finish:

- WH - White
- BL - Black
- CG - Champagne Gold
- CH - Chrome
- SC - Satin Chrome
- FL - Flint

PIONEER DOOR HANDLE RANGE

- An aesthetically pleasing and durable door handle range
- This contemporary range is designed to fit all major modern door bolt locking systems (92mm Centres)
- Inline Handles are non-handed allowing them to be used as either a left or right hand handle (supplied with spring cassette)
- Available in straight and scroll designs with lever/lever and lever/pad options
- Available in White, Black, Champagne Gold, Chrome, Satin Chrome & Flint
- Powder coated versions are available in zinc or aluminium
- Supplied with a minimum of 2 spindles & 2 sets of screws to suit profiles 58-70mm

Technical Information

Assessment Data

Performance tested to 100,000 operations

Corrosion resistance: All finishes meet the requirements of BS EN 1670 - grade 5 (500 hrs Salt Spray)

Material Specification

Handle/Backplate: Zinc Alloy BS1004A or aluminum A360

Spindle: Steel C1008, Zinc plated and yellow passivated

Powder Coating: White & Black, 60 microns minimum coating thickness

PVD/Chrome Coating: Champagne Gold/Chrome/Flint, multiple layer plating process

Additional Information

Box Quantity: 4 Pairs



WHITE



BLACK



CHAMPAGNE
GOLD



CHROME



SATIN
CHROME



FLINT



Call our Sales Team now on 01484 725 001

avocet
HARDWARE