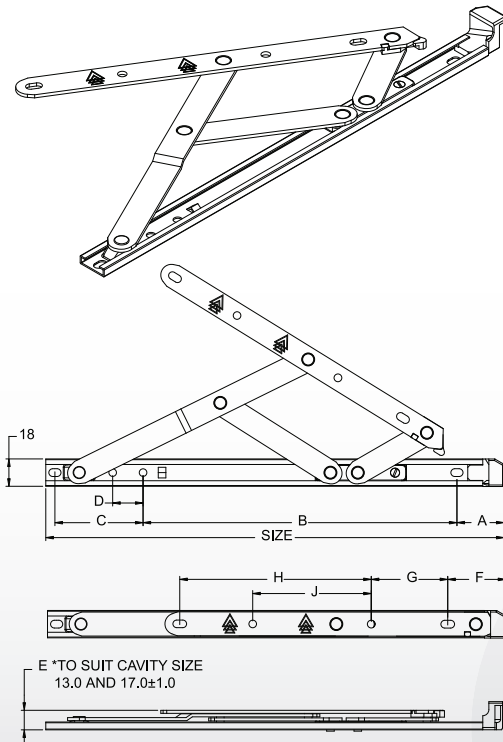


Technical Information

TRIAD FRICTION STAY - DIMENSIONS



DIMENSIONS - MM

	SIZE	A	B	C	D	E	F	G	H	J
SIDE HUNG	12"	30.5	193.0	71.0	-	13/17	37.5	71.0	99.0	-
	16"	30.5	242.5	121.0	49.0	13/17	36.0	120.5	98.5	-
TOP HUNG	8"	30.5	131.0	34.0	-	13/17	37.5	10.0	122.0	-
	10"	30.5	176.0	38.0	-	13/17	37.5	28.5	126.5	-
	12"	30.5	206.0	58.0	-	13/17	37.5	51.0	126.5	-
	16"	30.5	242.5	121.0	49.0	13/17	36.0	120.5	98.5	-
	20"	30.5	209.5	252.5	115.5	13/17	36.0	170.5	99.0	-
	24"	30.5	209.5	352.5	165.5	13/17	36.0	220.5	99.0	-
	24" HD	30.5	209.5	352.5	165.5	13/17	36.0	125.5	104	95.0

PRODUCT CODES

	PART NO.	STACK HEIGHT		SIZE (")	OPEN ANGLE (°)	MAX WEIGHT (KG)	MAX VENT SIZE (MM) W X H	BOX QTY
		13mm	17mm					
SIDE HUNG	SH12P-50	☐		12	60	22	600 X 1200	50
	HSH12P		☐	12	60	22	600 X 1200	40
	SH16P-25	☐		16	60	24	650 X 1200	25
	HSH16P		☐	16	60	24	650 X 1200	20
TOP HUNG	TH08P-50	☐		8	80	12	1200 X 600	50
	HTH08P		☐	8	80	12	1200 X 600	40
	TH10P-50	☐		10	85	14	1200 X 400	50
	HTH10P		☐	10	85	14	1200 X 400	40
	TH12P-50	☐		12	85	16	1200 X 550	50
	HTH12P		☐	12	85	16	1200 X 550	40
	TH16P-25	☐		16	60	20	1200 X 800	25
	HTH16P		☐	16	60	20	1200 X 800	20
	TH20P-25	☐		20	45	24	1200 X 900	25
	HTH20P		☐	20	45	24	1200 X 900	20
	TH24P-25	☐		24	40	27	1200 X 1000	25
	HTH24P		☐	24	40	27	1200 X 1000	20
	TH24PHD-25	☐		24	40	35	1200 X 1200	25
	HTH24PHD		☐	24	40	35	1200 X 1200	20

TRIAD FRICTION STAYS

- A range of top and side hung variants
- Side hung - 12" and 16", Top hung - 8" - 24"
- Manufactured from high quality 430 grade Stainless Steel
- Adjustable slider to suit both loading & environmental conditions
- Achieves in excess of 3Kn loading to BS7950:1997 when fitted with steel Anti-Jemmy (see page 43)
- 13 & 17mm stack height variants suitable for all popular profiles
- Sold in pairs
- Austenitic variant available on application

Technical Information

Assessment Data

Performance: cycle tested to over 25,000 operations

Corrosion resistance: meets requirements of BS EN 1670:1998 grade 5

Material Specifications

Track, link and rivets: Austenitic (304) or Ferretic (430)

Metal End Nib: Zinc BS1004A

Plastic Components: Nylon 6

Additional Information

Box Quantity: See chart

Accessories: Hinge Jigs (page 40), Anti-Jemmy & Child Restrictor (see page 43)



10
YEAR
MECHANICAL
GUARANTEE

Call our Sales Team now on 01484 725 001

avocet
HARDWARE