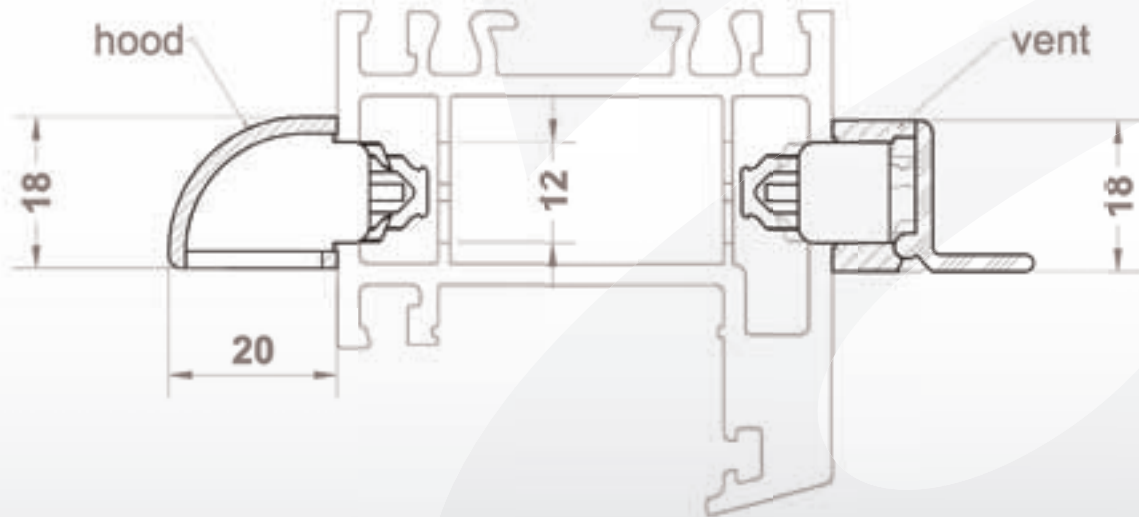
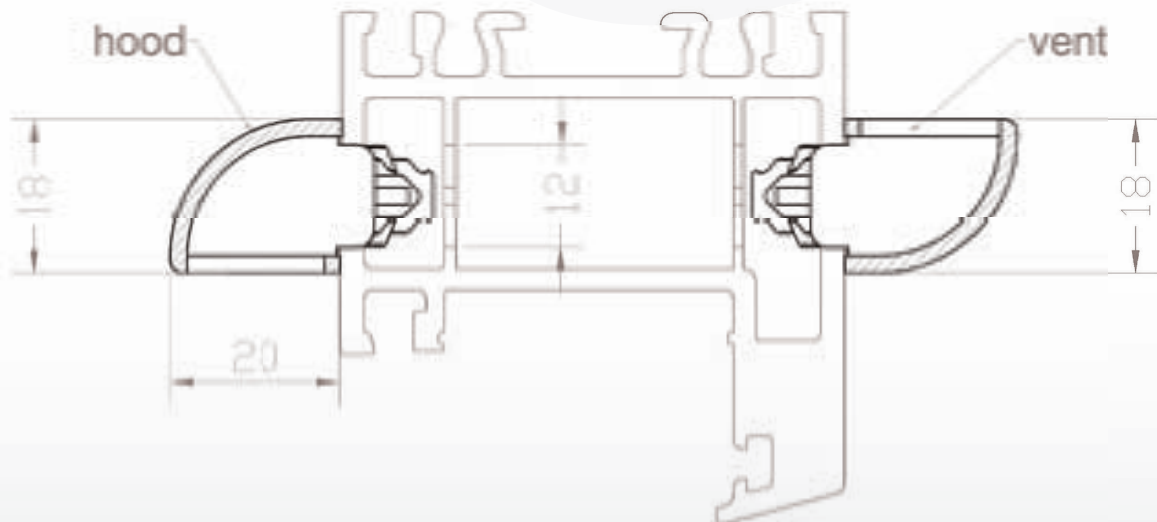


Technical Information

PUSH FIT SLOT VENT 2500 - OUTSIDE TURNING WINDOW - DIMENSIONS

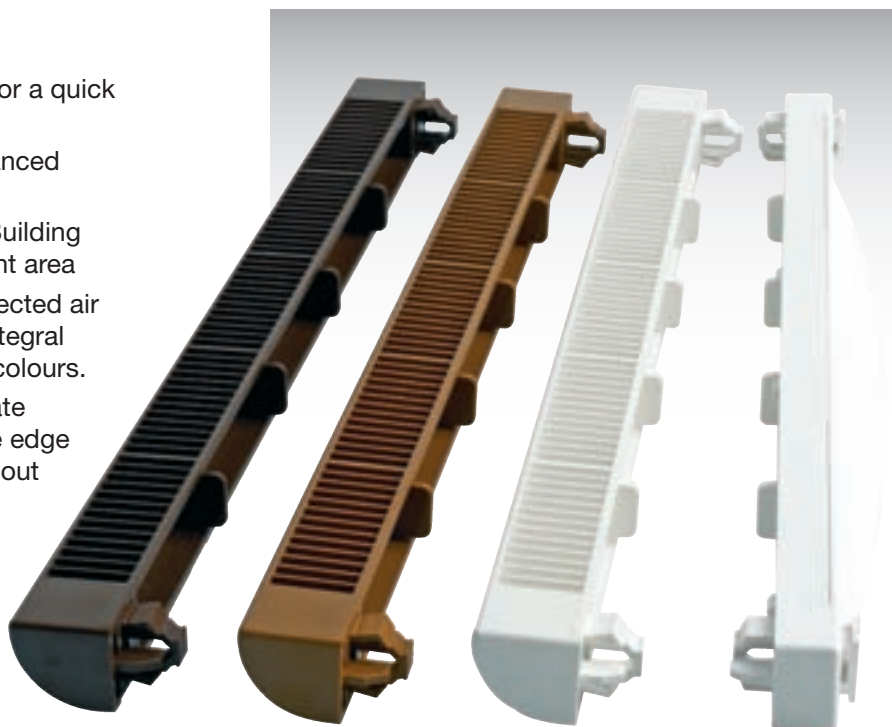


PUSH FIT SLOT VENT 2500 (CONTINUOUS) - OUTSIDE TURNING WINDOW - DIMENSIONS



TUNAL PUSH FIT SLOT VENT

- A unique screwless clip fit system allowing for a quick installation
- An extremely slim design that provides enhanced aesthetics to the window
- Provides ventilation in line with the current Building Regulations available for 2500mm² equivalent area
- Many additional features include upward directed air deflection, smooth operating mechanism, integral flyscreen and availability in a wide range of colours.
- Featuring an integral profile support to obviate profile flexing gaps when routed close to the edge of the bead profile and can be removed without damaging the slot vent.



Technical Information

Assessment Data

Performance: tested in accordance with BS EN 1026:2000 & BS EN 1027:2000 weather performance - water tightness of 400pa

Acoustic: tested in accordance with BS EN 20140-10:1992 and ISO 140-10:1991

Weather performance: tested to BS EN 1027:2000

PRODUCT SPECIFICATION			
SLOT HEIGHT @ 50 Pa	EQUIVALENT AREA	AIR TIGHTNESS (CLOSED) @ 50 Pa	WATER TIGHTNESS PRESSURE LIMIT
CONTROLLABLE 12MM	2586 MM ²	0.29 L/S	600 Pa (Class 8A)
PERMANENT 12MM	2586 MM ²	N/A	N/A

PRODUCT CODES		
PART NO.	FINISH	VENT SIZE
512	White/White	1250mm ²
513	White/Brown	1250mm ²
515	White/Light Oak	1250mm ²
518	Brown/Brown	1250mm ²
523	Light Oak/Light Oak	1250mm ²
545	White/White	2500mm ²
546	White/Brown	2500mm ²
547	White/Light Oak	2500mm ²
550	Brown/Brown	2500mm ²
555	Light Oak/Light Oak	2500mm ²



Installation

Controllable/Permanent:
Routing: 12 mm x 310 mm
Push fit to frame and push fit the buttons



Call our Sales Team now on 01484 725 001

avocet
HARDWARE